

# ProActa 4.5 C

## Concrete Sub-Floor Acoustic System

### Technical Information

#### Description

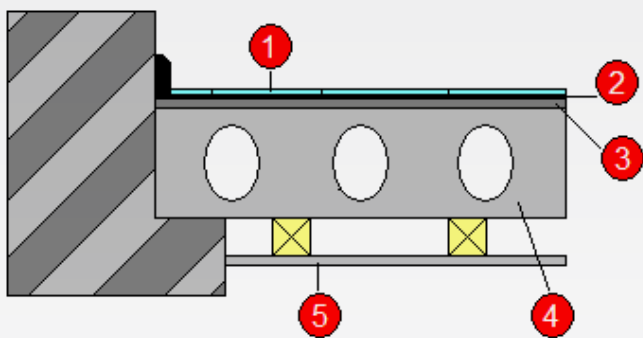
- a. An acoustic overlay matting for use on concrete sub-floors
- b. Manufactured from 100% recycled materials
- c. Designed to help reduce impact noise from source
- d. Fully compliant with Part E 2003 Regulations

#### Benefits

- a. Independently tested by a UKAS accredited laboratory
- b. Suitable for both new build and refurbishment projects
- c. Accepted for NHBC for ADE compliance
- d. Suitable for use with underfloor heating
- e. Quick and simple to install
- f. Comfortable underfoot (carpets can be laid directly on top, without a need for underlayment).



### Standard Concrete Floor Build



1. Final Floor Finish (carpet shown)
2. ProActa 4.5 C
3. 65mm Levelling Screed
4. 150mm (300kg) precast concrete sub-floor
5. Suspended Ceiling Detail

### Acoustic Performance

#### Sound Insulation (Concrete Sub-Floor)

Material	Floor Build	Regulations	Achieved
ProActa 4.5 C (4.5mm)	Final Floor Finish ProActa 4.5 C Precast Concrete (min 150mm, 300kg) Suspended Ceiling	In accordance with BS EN ISO 140-8  Impact Sound Improvement (min 17dB)	21-22dB

#### Physical Information

- a. Overall Length 19m
- b. Overall Width 1m
- c. Overall Thickness 4.5mm



**PROACTIVE**  
**ACOUSTIC**  
S U P P L I E S